



ACCESSORIES

Download from www.urmet.com Technical Manuals area.

SECTION CONTENTS

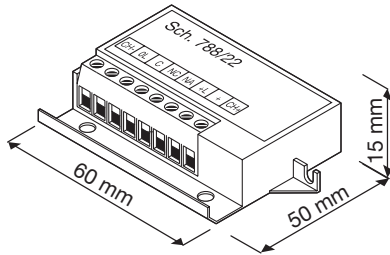
CALL REPEATER RELAY Ref. 788/22	2
INSTALLATION.....	2
Connection example.....	2
THREE-TONE ADDITIONAL RINGER Ref. 1072/59	2
Connection example.....	2
12Vac ELECTRONIC ADDITIONAL RINGER Ref. 9854/40	3
TECHNICAL CHARACTERISTICS.....	3
ADDITIONAL RINGER INSTALLATION	3



THREE-TONE ADDITIONAL RINGER CALL REPEATER RELAY - THREE-TONE ADDITIONAL RINGER



CALL REPEATER RELAY Ref. 788/22



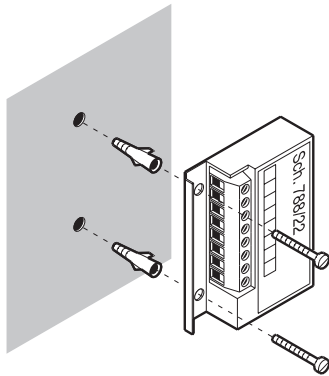
The device Ref. 788/22 allows to implement the call repeater function.

In all system types, connect the call signal to the repeater relay: in this case, the device will switch the relay contact, repeating the call melody envelope.

The output contact can switch resistive loads up to 1A - 24V.

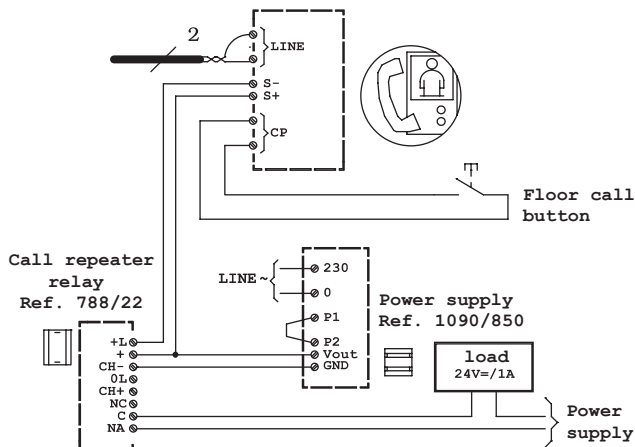
INSTALLATION

To fasten the device to the wall or inside other devices, use the 2 fixing holes present on the housing fin (screws are not provided).

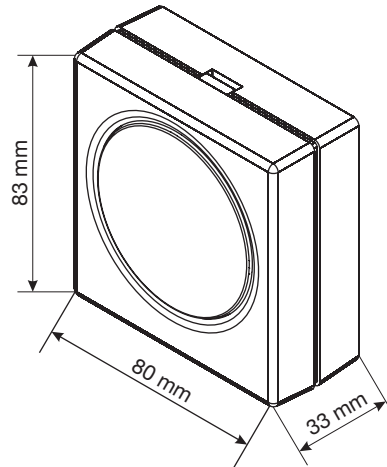


To power the call repeater relay, it is suggested to use a power supply Ref.1090/850, whose characteristics and installation modes are described in "Products Technical Manuals - Door phone and video door phone systems".

CONNECTION EXAMPLE



THREE-TONE ADDITIONAL RINGER Ref. 1072/59



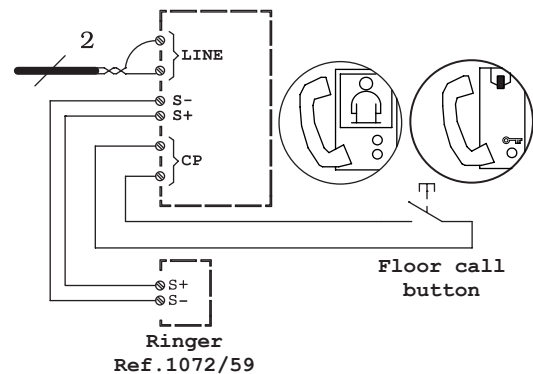
The three-tone additional ringer Ref. 1072/59 can be used to repeat the door phone call in places where the door phone or video door phone call ring tone can not be heard.

It must be self-powered (by a 9V 6AM6-6LF22 battery), because the apartment station can not power it.

The ringer is equipped with two jumpers, marked by W1 and W2. Remove one jumper to make it work as two-tone or one-tone, according to the following table:

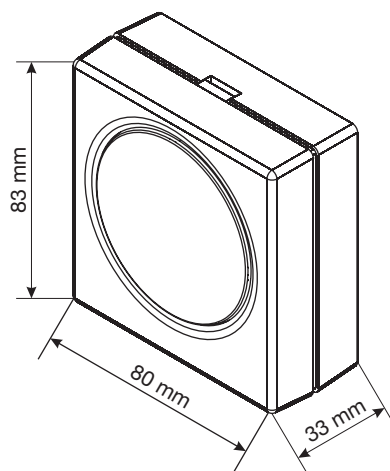
Tone type	Jumpers		
	W1	W2	
Three-tone	X	X	All the two jumpers on
Two-tone	X		Only jumper W1: W2 must be removed
One-tone		X	Only jumper W2: W1 must be removed

CONNECTION EXAMPLE





**12Vac ELECTRONIC ADDITIONAL RINGER
Ref. 9854/40**



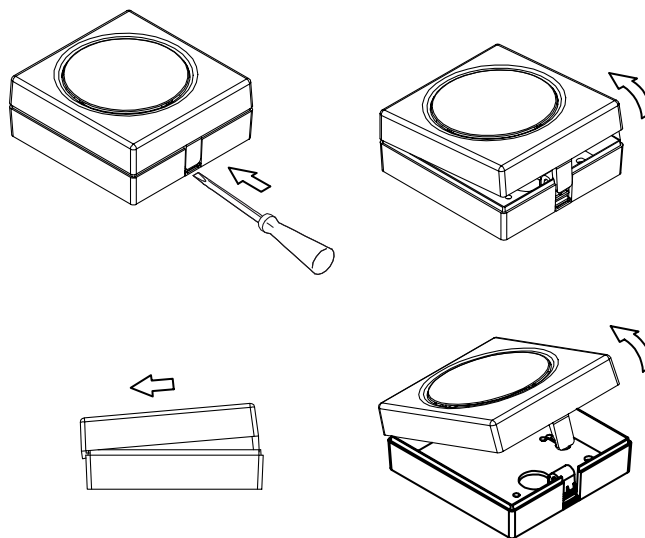
The electronic ringer Ref. 9854/40 can be used as additional ringer: the call coming from the door unit activates both the apartment station ringer and the additional ringer Ref. 9854/40.

 For connection, a suitable relay must be used.

TECHNICAL CHARACTERISTICS

Power consumption:	35mA with 12Vac power supply
Operating voltage:	12Vac nominal with tolerance from 10 to 18 Vac
Call tone:	two-tone with loudspeaker with 1200 and 1800Hz frequency

ADDITIONAL RINGER INSTALLATION



To fasten the device to the wall, use the fixing holes on the housing base (screws are not provided).

