



APARTMENT VIDEO DOOR PHONE STATIONS

Download from:
www.urmetdomus.com
Technical Manuals area



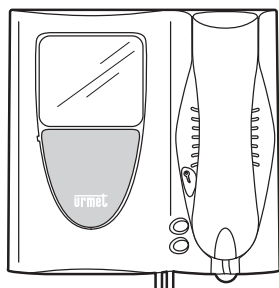
SECTION 4B CONTENTS
BIBUS II[^] Ed. VOP SYSTEM



	Sec.	Pag.
<hr/> APARTMENT VIDEO DOOR PHONE STATIONS <hr/>		
ATLANTICO BLACK AND WHITE VIDEO DOOR PHONE <hr/>		
SPECIFICATIONS.....	4b	3
TECHNICAL SPECIFICATIONS	4b	3
<hr/> ATLANTICO COLOUR VIDEO DOOR PHONE Ref. 1702/40 <hr/>		
SPECIFICATIONS.....	4b	4
TECHNICAL SPECIFICATIONS	4b	4
<hr/> ATLANTICO VIDEO DOOR PHONE <hr/>		
ATLANTICO BRACKETS FOR BIBUS II [^] ED. VOP SYSTEMS Ref 1202/954	4b	5
Bracket terminals	4b	5
Technical specifications.....	4b	5
INSTALLATION	4b	5
Wall-mounted version.....	4b	5
Tabletop version	4b	5
PROGRAMMING.....	4b	6
Ringer programming	4b	6
Parallel video door phone installation	4b	6
Auto-on	4b	6
COLOURED MASK KIT	4b	6
<hr/> ARTICO VIDEO DOOR PHONE Ref. 1705/1 <hr/>		
SPECIFICATIONS.....	4b	7
TECHNICAL FEATURES	4b	7
ARTICO BRACKETS FOR BIBUS II [^] ED. VOP Ref. 1705/954	4b	8
Bracket terminals	4b	8
Technical specifications.....	4b	8
INSTALLATION	4b	8
PROGRAMMING.....	4b	8
Ringer programming	4b	8
Parallel monitor installation.....	4b	8
Auto-on	4b	9
FRONT GLASS REPLACEMENT	4b	9
<hr/> SCAITEL BLACK AND WHITE VIDEO MODULE Ref. 1732/1 <hr/>		
SPECIFICATIONS.....	4b	10
Technical specifications.....	4b	10
<hr/> SCAITEL COLOUR VIDEO MODULE Ref. 1732/41 <hr/>		
SPECIFICATIONS.....	4b	10
Technical specifications.....	4b	10
<hr/> SCAITEL VIDEO MODULE <hr/>		
VIDEO MODULE BRACKET Ref. 1732/957	4b	11
Bracket terminals	4b	11
INSTALLATION	4b	11
Wall-mounted version.....	4b	11
TABLE MOUNTED KIT FOR SCAITEL MONITOR Ref. 1732/56	4b	11



ATLANTICO BLACK AND WHITE VIDEO DOOR PHONE



The Atlantico video door phone implements an electronic call system and can be used in Bibus 2nd Ed. VOP systems when equipped with the specific bracket.
 The call volume (to dedicated speaker) can be adjusted in linear fashion and muted.
 The video door phone is easy to install because no masonry work is needed and all connections are made to the bracket on which the video door phone will eventually be fastened. The handset connection is particularly ergonomic. A simple telephone plug is used.
 The door opener button by the side of the handset is lit up and green when the monitor is on.
 The Atlantico video door phone has innovative simple, essential designed fashioned by Michele De Lucchi and is available in 3 version.

The video door phone as available in this version:

- White colour
- Anthracite colour
- High tech grey colour

Ref. 1702/1
Ref. 1702/41
Ref. 1702/42

The front mask colour can be changed with the kit Ref. 1702/50 to suit the video door phone for all architectural contexts.

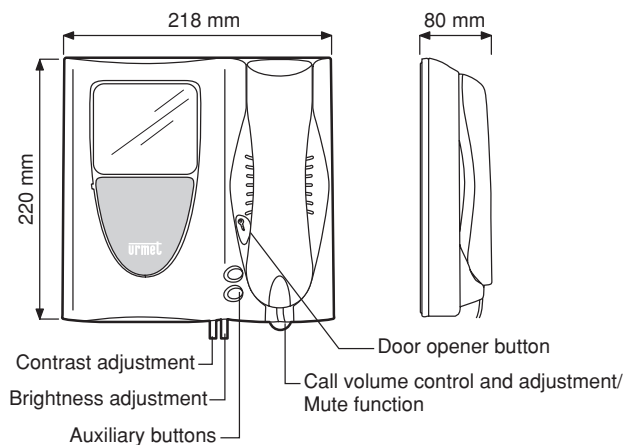
SPECIFICATIONS

The main characteristics of the video door phone are:

- Flat 4" black and white video module.
- Adjustable and mutable call volume. The adjustment wheel appears red when the volume is muted.

NOTE: when volume is set to "MUTE" the video door phone will not ring but the video module will light up.

- Door opener button is lit up and green when video module is on.
- Service buttons (◊ and ○) for activating, for example, supplementary electrical locks, staircase lights, monitor auto-on function, etc.
- Adjustable brightness and contrast.



TECHNICAL SPECIFICATIONS

Power voltage:	16 ÷ 18,5Vdc
Working uptake:	max 0,35A
Stand-by:	0A
Working power:	max 6,5W
CCIR version	50Hz ± 2Hz
Vertical frequency:	15625 ± 300Hz
Horizontal frequency:	1Vpp 75 Ω nominal
Video signal:	1Vpp. -6dB minimum
Kinescope:	4" flat 13mm neck
Phosphorous:	P45
Screen size:	81 x 59mm
Geometric distorsion:	vertical 5% max.
	horizontal 5% max.
	barrel 10% max.
Brightness:	170cd/m² max. setting
X-rays:	none
Switch-on delay:	4 sec. max.
Transmitting capsule:	electret microphone
Receiving capsule:	45Ω speaker
Button voltage:	24Veff. max.
Button current:	1,2Aeff.
Operating temperature range:	-5° ÷ +50°C
Max. humidity:	90%RH

ATLANTICO BLACK AND WHITE VIDEO DOOR PHONE

APARTMENT VIDEO DOOR PHONE STATION

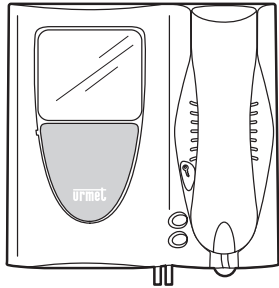


ATLANTICO COLOUR VIDEO DOOR PHONE Ref. 1702/40

SPECIFICATIONS - TECHNICAL SPECIFICATIONS



ATLANTICO COLOUR VIDEO DOOR PHONE Ref. 1702/40



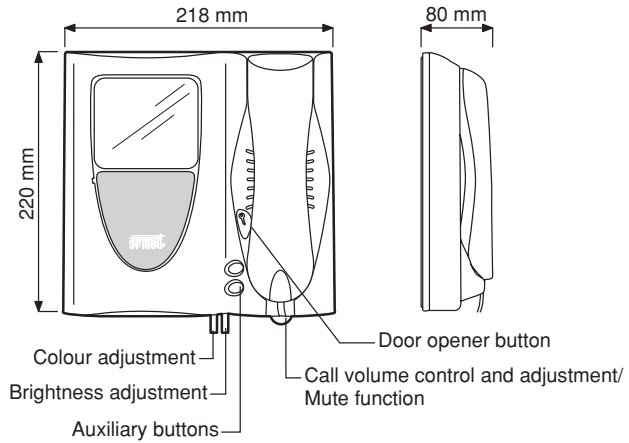
The Atlantico video door phone is a colour apartment station which can be used in Bibus 2nd Ed. VOP systems when equipped with the specific bracket.
 As the black and white version, also this model has adjustable call tone volume and muting functions.
 The video door phone is easy to install because no masonry work is needed and all connections are made to the bracket on which the video door phone will eventually be fastened. The handset connection is particularly ergonomic. A simple telephone plug is used.
 The video door phone is only white but the front part can be customised by replacing the standard frame (blue) with one of the five frames from the Ref. 1702/50 kit.

SPECIFICATIONS

- The main characteristics of the video door phone are:
- Flat 4" LCD colour module.
 - Adjustable and mutable call volume. The adjustment wheel appears red when the volume is muted.

NOTE: when volume is set to "MUTE" the video door phone will not ring but the video module will light up.

- Door opener button is lit up and green when video module is on.
- Service buttons (◊ and ○) for activating, for example, supplementary electrical locks, staircase lights, video door phone auto-on function, etc.
- Adjustable brightness and contrast.

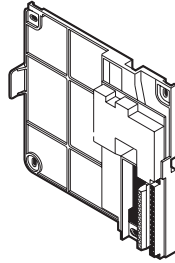


TECHNICAL SPECIFICATIONS

Power voltage:	16 ÷ 18.5Vdc
Working uptake:	max. 0.35A
Stand-by:	0A
Working power:	max. 6.5W
CCIR version:	Vertical frequency: 50Hz ± 2Hz
	Horizontal frequency: 15625 ± 300Hz
Video signal:	1Vpp 75 Ω nominal
	1Vpp -6 dB minimum
	4" back-lit
LCD:	81 X 59mm
Screen size:	380H x 250V pixel
Resolution:	PAL
Colour system:	4 sec. max.
Switch-on delay:	electret microphone
Transmitting capsule:	45Ω speaker
Receiving capsule:	24Veff. max.
Button voltage:	1.2Aeff
Button current:	-5° ÷ +50°C
Operating temperature range:	90% RH
Max. humidity:	



ATLANTICO BRACKETS FOR BIBUS II[^] ED. VOP SYSTEMS Ref. 1202/954



Atlantico video door phone are provided without fastening bracket which must be purchased separately.

- Bracket for Bibus II[^] ed. VOP systems **Ref. 1202/954**

The following functions are offered by using brackets Ref. 1202/954 in combination with Atlantico video door phones:

- Non-polarised video input.
- Video connection with floor distributor Ref. 1074/54.
- In/out video connection.
- Possibility of connecting an additional video door phone.
- Privacy function.
- 6 two-tone ringers (the installer can select the door phone call and floor call tones).

BRACKET TERMINALS

- VPI VOP signal input terminals
- VPU VOP signal output terminals (for in-out or parallel video door phone connection)
- L1 } Door phone bus
- L2 } Door phone bus
- C1 } Floor call
- C2 } Floor call

Important: Never fit the video terminal resistors.

TECHNICAL SPECIFICATIONS

Max. VPI uptake with video door phone fitted: **450mA**
Stand-by uptake (L1, L2): **1.6mA max.**
Temperature: **-5 ÷ +45°C**

INSTALLATION

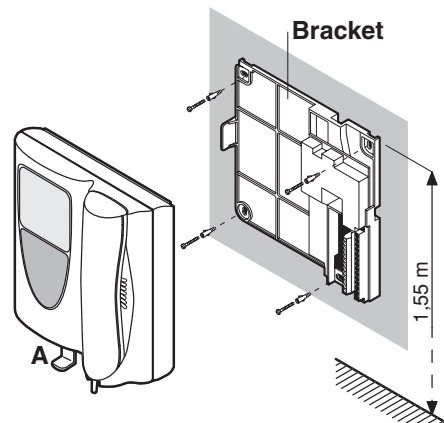
The device can be wall-mounted (on a bracket) or rested on a horizontal surface by using the specific tabletop stand in addition to the bracket.

WALL-MOUNTED VERSION

- 1) Arrange the duct so that it ends in correspondence with one of the input holes.
- 2) Fasten the bracket to the wall at the height from the floor shown by means of the four screws.
- 3) Set the switch (on back of video door phone) to position "B" before fitting the video door phone.



- 4) Connect the wires to the specific terminals
- 5) Extract the retainer hook **A** by inserting the tip of a screwdriver and pulling the hook downwards.
- 6) Fasten the video door phone to the bracket as shown in the figure.
- 7) Fasten the video door phone by pushing the retainer hook **A** upwards.



TABLETOP VERSION

Atlantico can be table-mounted using the specific kit Ref. 1702/92 containing: one tabletop stand, one socket and one cord.

Proceed as follows:

- 1) Insert the wire from the junction box through the rear hole of the support and fasten it using the U-bolt and the screw provided.
- 2) Connect the junction box wires to the specific terminals on the bracket.
- 3) Set the switch (on the video door phone rear) on position **B**.

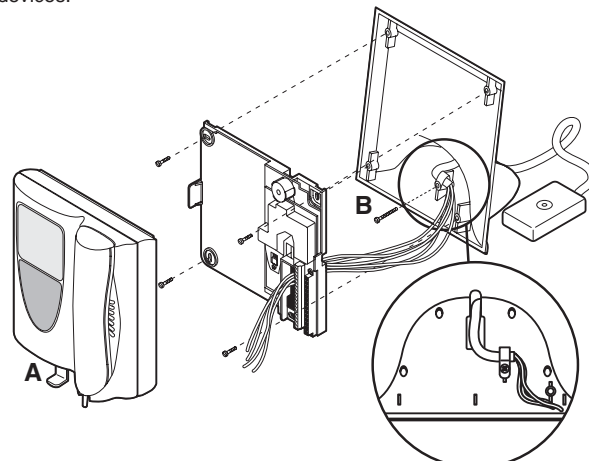


- 4) Extract the retainer hook **A** from the video door phone.
- 5) Fit the video door phone on the bracket and fasten it by pushing the hook **A** up.
- 6) Connect the system wires to the corresponding socket terminals.

NOTE: consider the following correspondence between terminals when using the table mounting kit in Bibus 2nd edition VOP systems:

Table mounting kit Ref. 1702/92		Bracket Ref. 1202/954
R1	→	VPI
R2	→	VPI
X1	→	L1
X2	→	L2
Y1	→	C1
Y2	→	C2

Important: The table mounting kit Ref. 1702/92 may be used for installing video door phones without in/out connection to other devices.





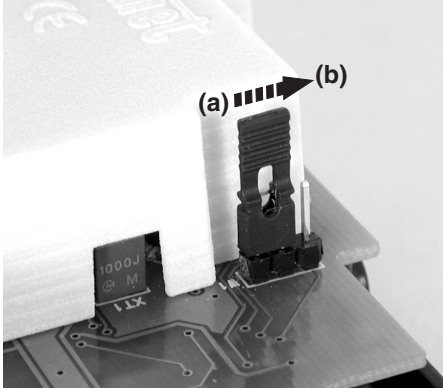
PROGRAMMING

The procedure for programming video door phone user codes is the same as for Bibus 2nd edition door phones. Go to the apartment, press the door opener button and pick up the video door phone handset after setting up the video door phone booking sequence on the call station or concierge switchboard.

Release the video door opener button and hang up.

The door phone will sound to indicate that it has been programmed.

RINGER PROGRAMMING



1. Release the video door phone from the bracket.
2. Move jumper W1 from position "a" to position "b".
3. Re-fasten the video door phone.
4. Press the auxiliary service button. The door phone tone will change each time the button is pressed. Go to the next step once the ringer has been selected.
5. Press the concierge call button. The floor call ringer will change each time the button is pressed. Go to the next step once the ringer has been selected.
6. Release the video door phone from the bracket.
7. Return jumper W1 to position "a".
8. Re-fasten the video door phone.

PARALLEL VIDEO DOOR PHONE INSTALLATION

A configuration of up to two video door phones in parallel can be obtained without the addition of local power units (refer to the VOP 1074/20 video power unit instruction booklet for wiring). A door phone with additional self-powered ringer may be added to the two video door phones in parallel.

Operation is described below. Both video door phones (and the door phone connected in parallel where relevant) ring when a call is received but only the "master" video door phone (i.e. the one connected directly to the column or to the VOP extension) will light up.

The picture can be seen on the video door phone which is off from this time until the programmed call station off-hook time-out (typically 40 seconds) by pressing the concierge call button without picking up the handset.

The handset of either of the two video door phones can be picked up to establish a communication with the door unit and definitely capture the picture.

NOTE: *the floor call button must be connected to a single video door phone.*

AUTO-ON

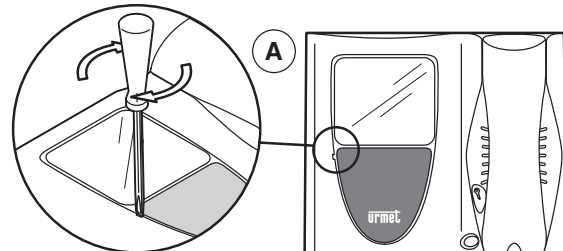
Video or audio/video auto-on from the MAIN station 1 is possible. With the door phone standing by, press the concierge call button without picking up the handset. Nothing will happen if the main station 1 has either a conversation in progress or is busy; otherwise, the video door phone will ring and the video door phone will light up. The door can be opened and a voice connection can be established by picking up the handset within the off-hook time-out (typically 40 seconds).

COLOURED MASK KIT

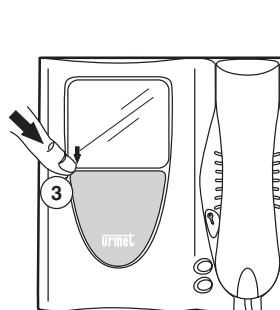
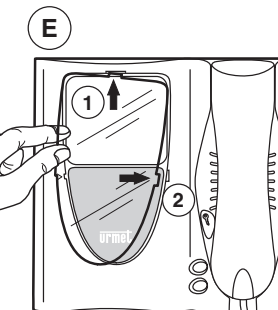
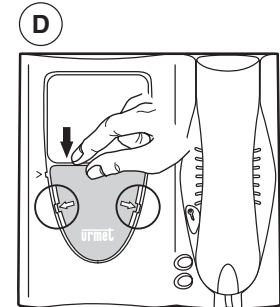
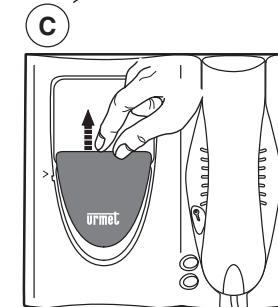
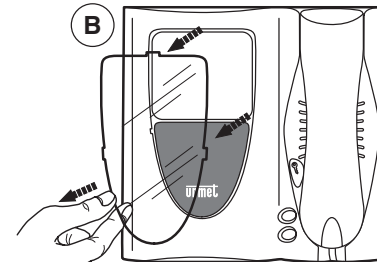
The video door phone can be customised by replacing the front mask and add-on name tag with those contained in the Ref. 1702/50 kit.

The kit contains masks and cards of the following colours:

- Yellow
- Pink
- Grey
- Green
- Blue



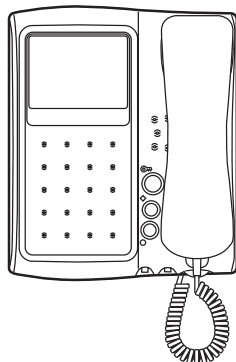
4 mm slot screwdriver rotary movement



Other media, such as photographs or wall paper, can be used to customise the video door phone instead of the Ref. 1702/50 kit. In this case, use one of the frames provided as a template to trace the exact installation profile.



ARTICO VIDEO DOOR PHONE Ref. 1705/1



Artico offers the most modern technology applied to picture display and the best quality/price ratio. These features make the video door phone suitable for normal communication needs and security applications in video door phone systems.

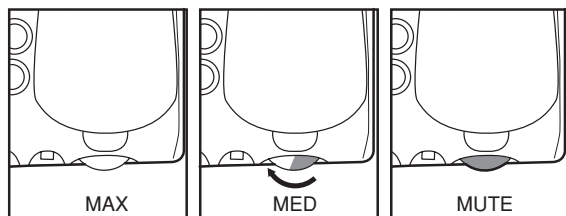
Thanks to the use of a functional flat 4" screen which reduces the protrusion from the wall, Artico can be installed on the wall without the need for masonry work.

Connection of this video door phone are also simple and rapid, thanks to the terminal board arranged on the dedicated bracket.

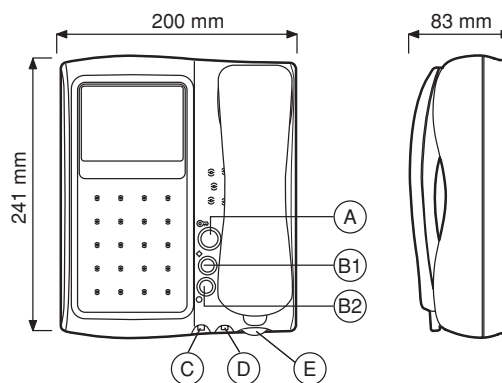
SPECIFICATIONS

The main characteristics of the video door phone are:

- Flat 4" LCD black and white video module.
- Adjustable and mutable call volume. The adjustment wheel appears red when the volume is muted.



- Door opener button dedicated.
- One service button (◇) which can be used, for example, to switch on the staircase lights or open an additional lock.
- One button for calling the concierge station and auto-on (○):
Door unit: pick up the handset and press the button.
Auto-on: press the button without picking up the handset.
- Two potentiometers for adjusting picture brightness and contrast.



- A Door opener button.**
- B1 Auxiliary button:** used for special functions.
- B2 Auxiliary button:** used for calling the concierge station and auto-on.
- C Contrast adjustment control.**
- D Brightness adjustment control.**
- E Call volume control and adjustment:** turn the knob as far as it will go (red part visible) to mute the call tone ("MUTE" function).

TECHNICAL FEATURES

Power voltage:	16 ÷ 18,5Vdc
Working uptake:	max 0,6A
Working power:	max 10W
CCIR Version	Vertical frequency: 50Hz ± 2Hz
	Horizontal frequency: 15625 ± 300Hz
Video signal:	1Vpp 75Ω nominal
	1Vpp -6dB minimum
Kinescope:	4" tipo FLAT 20mm neck
Phosphorous:	P45
Geometric distortion:	vertical 5% max
	horizontal 5% max
	barrel 10% max
Brightness:	>100cd/m ² max. setting
X-rays:	none
Switch-on delay:	7 sec. max
Transmitting capsule:	electret microphone
Receiving capsule:	speaker 45Ω
Button voltage:	24Veff. max
Button current:	1,2Aeff
Operating temperature range:	-5° ÷ +50°C
Max. humidity:	90% UR

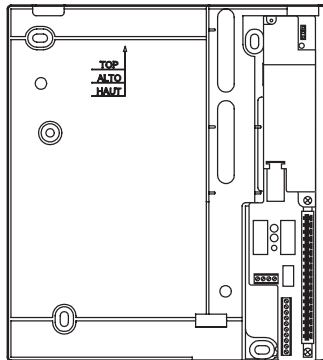


ATLANTICO VIDEO DOOR PHONE Ref. 1705/1

ARTICO BRACKETS FOR BIBUS II[^] ED. VOP Ref. 1705/954 - INSTALLATION PROGRAMMING

urmet
DOMUS

ARTICO BRACKETS FOR BIBUS II[^] ED. VOP Ref. 1705/954



Artico video door phone is provided without fastening bracket which must be purchased separately.

- Bracket for Bibus II[^] ed. VOP systems **Ref. 1705/954**

The following functions are offered by using Ref. 1705/954 brackets in combination with Artico monitors:

- Non-polarised video input.
- Video connection with floor distributor Ref. 1074/54.
- In/out video connection.
- Possibility of connecting an additional monitor.
- Privacy function.
- 6 two-tone ringers (the installer can select the door phone call and floor call tones).

BRACKET TERMINALS

VPI	VOP signal input terminals
VPU	VOP signal output terminals (for in-out or parallel monitor connection)
L1, L2	Door phone bus
C1, C2	Floor call

Important: Never fit the video terminal resistors.

TECHNICAL SPECIFICATIONS

Max. VPI uptake with monitor fitted:	700mA
Stand-by uptake (L1, L2):	1.6mA max.
Temperature:	-5 / +45°C

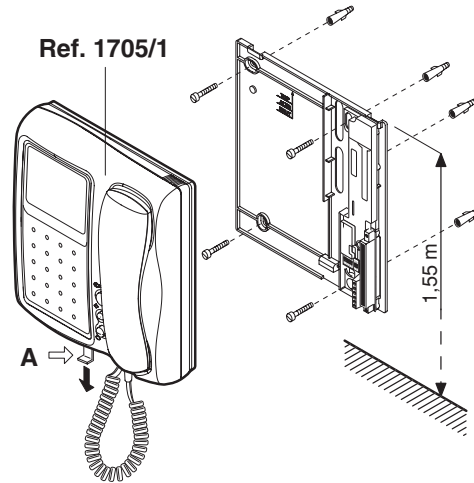
INSTALLATION

Arrange the duct so that it ends in correspondence with the input hole on the bracket and proceed as follows:

- 1 Fasten the bracket to the wall at the height from the floor shown by means of the four screws.
- 2 Connect the wires to the specific terminals.
- 3 Set the switch (on back of monitor) to position "B" before fitting the monitor.



- 4 Extract the retainer hook **A** by inserting the tip of a screwdriver and pulling the hook downwards.
- 5 Fasten the monitor to the bracket.
- 6 Fasten the monitor by pushing the retainer hook **A** upwards.

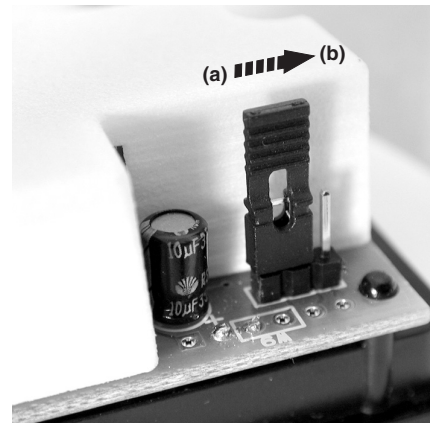


PROGRAMMING

The procedure for programming video door phone user codes is the same as for Bibus 2nd edition door phones. Go to the apartment, press the door opener button and pick up the video door phone handset after setting up the video door phone booking sequence on the call station or concierge switchboard.

Release the video door opener button and hang up. The door phone will sound to indicate that it has been programmed.

RINGER PROGRAMMING



1. Release the monitor from the bracket.
2. Move jumper W1 from position "a" to position "b".
3. Re-fasten the monitor.
4. Press the auxiliary service button. The door phone tone will change each time the button is pressed. Go to the next step once the ringer has been selected.
5. Press the concierge call button. The floor call ringer will change each time the button is pressed. Go to the next step once the ringer has been selected.
6. Release the monitor from the bracket.
7. Return jumper W1 to position "a".
8. Re-fasten the monitor.

PARALLEL MONITOR INSTALLATION

A configuration of up to two video door phones in parallel can be obtained without the addition of local power units (refer to the VOP Ref. 1074/20 video power unit instruction booklet for wiring). A door phone with additional self-powered ringer may be added to the two video door phones in parallel.



Operation is described below. Both video door phones (and the door phone connected in parallel where relevant) ring when a call is received but only the "master" monitor (i.e. the one connected directly to the column or to the VOP extension) will light up.

The picture can be seen on the monitor which is off from this time until the programmed call station off-hook time-out (typically 40 seconds) by pressing the concierge call button without picking up the handset.

The handset of either of the two video door phones can be picked up to establish a communication with the door unit and definitely capture the picture.

NOTE: *the floor call button must be connected to a single video door phone.*

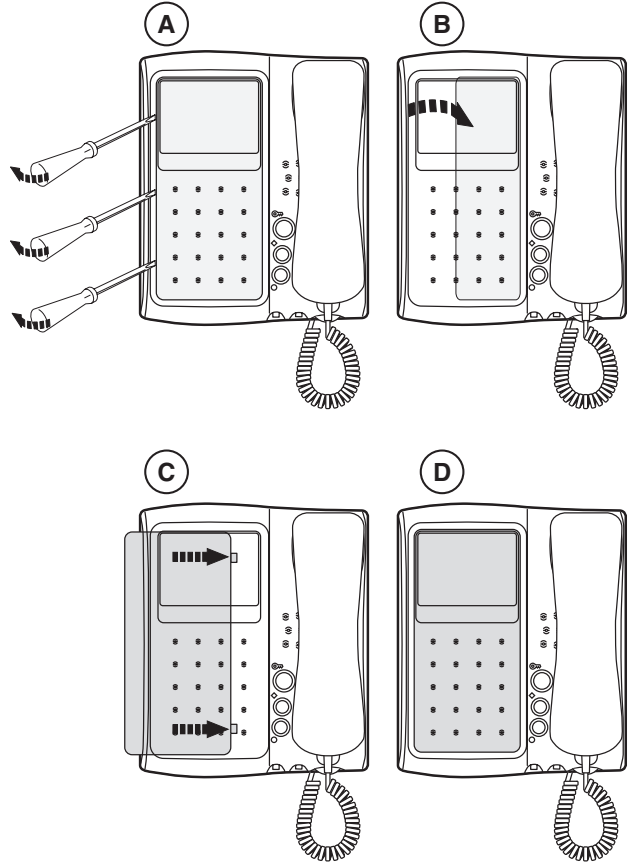
AUTO-ON

Video or audio/video auto-on from the MAIN station 1 is possible. With the door phone standing by, press the concierge call button without picking up the handset. Nothing will happen if the main station 1 has either a conversation in progress or is busy; otherwise, the video door phone will ring and the monitor will light up. The door can be opened and a voice connection can be established by picking up the handset within the off-hook time-out (typically 40 seconds).

FRONT GLASS REPLACEMENT

The video door phone can be customised by replacing the front glass. The following colours are available:

- Smoky grey Ref. 1705/101
- Blue (pre-fitted on the video door phone) Ref. 1705/102



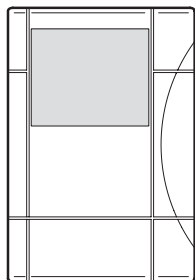


SCAITEL BLACK AND WHITE VIDEO MODULE Ref. 1732/1
SPECIFICATIONS



SCAITEL COLOUR VIDEO MODULE Ref. 1732/41
SPECIFICATIONS

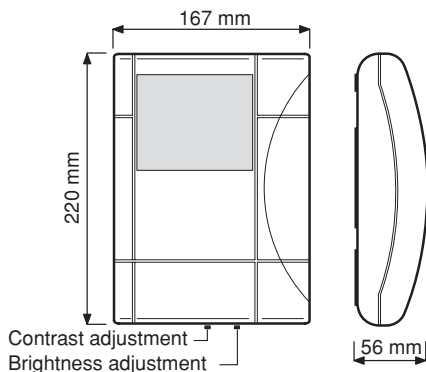
SCAITEL BLACK AND WHITE VIDEO MODULE Ref. 1732/1



The Scaitel video module Ref. 1732/1 has a 4" flat screen black and white monitor and can be used in combination with switchboards Ref. 1072/42 so that the operator can see visitors.

SPECIFICATIONS

Available in matte white plastic (ABS) only, the device is equipped with two potentiometers for adjusting picture brightness (☼) and contrast (●).

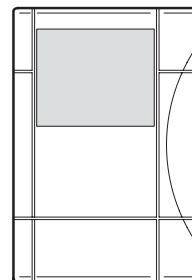


The video module can be installed to the wall by means of a bracket with connector and terminal board.
The monitor can be table-mounted using a specific transformation kit.

TECHNICAL SPECIFICATIONS

Power:	16 ÷ 18.5Vdc
Consumption:	0.35A max. working 0mA stand-by
Power:	6.5W max. working
CCIR version:	Vertical frequency: 50Hz ± 2Hz Horizontal frequency: 15625 ± 400Hz
Resolution:	400 lines in middle of screen
Video input:	1Vpp-75Ohm nominal 1Vpp -6dB min.
Kinescope:	4" flat
Phosphorus:	P45
Screen size:	81 x 59mm
Geometric distortion:	vertical 8% max. - horizontal 12% max.
Brightness:	170cd/m² max. setting
Working temperature range:	- 5 + 45°C
Storage temperature range:	-20 + 60°C
Humidity:	90 % RH max.

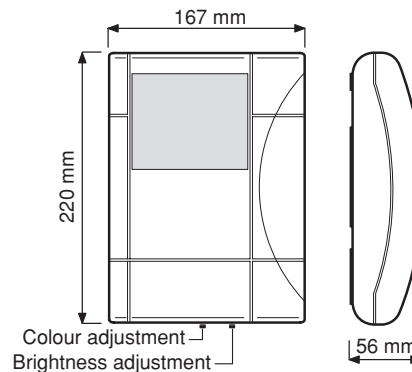
SCAITEL COLOUR VIDEO MODULE Ref. 1732/41



The Scaitel colour video module Ref. 1732/41 can be exclusively combined to a switchboard so that concierge personnel can see visitors.

SPECIFICATIONS

Available in matte white plastic (ABS) only, the device is equipped with two potentiometers for adjusting picture brightness (☼) and colour (●).



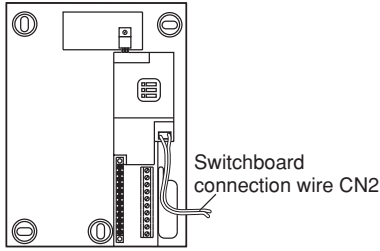
The monitor (basic or with add-on modules) can be table-mounted using a specific transformation kit.

TECHNICAL SPECIFICATIONS

Power voltage:	16 ÷ 18.5Vdc
Working uptake	working: 0.35A max. stand-by: 0mA
Working Power:	6.5W max
CCIR version:	Vertical frequency: 50Hz ± 2Hz Horizontal frequency: 15625 ± 400Hz
Resolution:	480H x 234V
Video input:	1Vpp-75Ohm nominal 1Vpp -6dB min.
Kinescope:	4" TFT
Colour system:	PAL
Screen size:	81 x 59mm
Working temperature range:	-5 + 45°C
Storage temperature range:	-20 + 60°C
Humidity:	90% RH max



VIDEO MODULE BRACKET Ref. 1732/957



Note: the bracket can be used either with colour and black and white video door phone.

BRACKET TERMINALS

- R1 Monitor power negative
- R2 Monitor power positive
- RD Parallel monitor power *
- 0V Control signal ground
- CV Video module control signal (from switchboard)
- AS Additional video module video signal negative
- BS Additional video module video signal positive
- AO Video signal negative passing output
- BO Video signal positive passing output
- AI Input video signal negative
- BI Input video signal positive

* System configuration must include a suitably dimensioned power unit.

INSTALLATION

WALL-MOUNTED VERSION

- Proceed as follows to fasten the video module only:
- Arrange the duct so that it ends in correspondence with the input hole.
 - Fasten the bracket to the wall at the height from the floor shown by means of bolts.
 - Connect the wires to the specific terminals.
 - Set the correct distance between bracket and camera with the dip switches.

0-200m	200-450m	450-700m	700-1000m

- Extract the stop bolt **A**.
- Fasten the monitor to the bracket and lock the device by pushing the bolt "**A**" inwards.

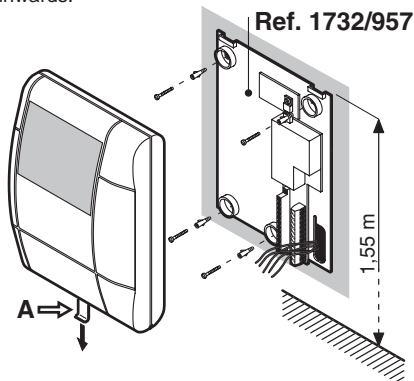


TABLE MOUNTED KIT FOR SCAITEL MONITOR Ref. 1732/56

Use the tabletop transformation kit Ref. 1732/56.

Proceed as follows:

- Insert the four adhesive rubbers provided in the housings under the base of the table mounting stand.
- Break the base of only one of the three wire passage areas shown in Fig. 2.
- Insert the junction box wire in the hole and fasten it with the U-bolt and screw (α) provided to the table.
- Fasten the bracket by means of the specific screws. (Fig. 1).
- Connect the junction box wires to the specific terminals on the bracket.

NOTE: consider the following correspondence between terminals for using the table mounting kit with bracket Ref. 1732/957:

Table mounting kit Ref. 1732/56		Scaitel bracket for Bibus 2nd edition VOP systems Ref. 1732/957
R1	→	R1
R2	→	R2
RD	→	RD
0V	→	0V
CV	→	CV
1	→	AS
2	→	BS
R3	→	AO
CA	→	BO
A	→	AI
B	→	BI

- Extract the stop bolt **A** from the monitor.
- Fasten the monitor to the bracket and lock it by pushing the bolt **A** inwards.
- Connect the system wires to the corresponding socket terminals.

